

High Power, Compact Size, Comfortable to Use



**Side hammering
generates high power
and reduces kick back.
This allows you to expand
your working application.**

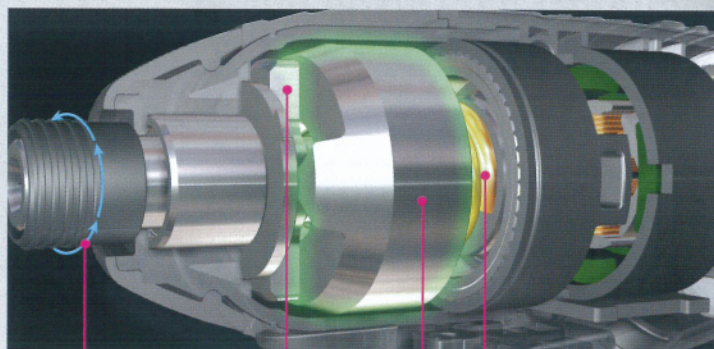
Extended work time for **screw driving** with less fatigue

Expanded **work areas** to include overhead applications and tight spots

Expansion of applications to do a wider range of **fastening** work

This is not a drill/driver

An impact driver behaves just like a driver until the torque needed to drive the fastener exceeds the torque of the motor. At this point, the large compression spring **1** causes the hammer **2** to strike the anvil sideways **3**, adding rotational force **4** to drive the fastener.



- 4** Rotational force
- 3** Anvil
- 2** Hammer
- 1** Compression spring

screw driving

work areas

fastening